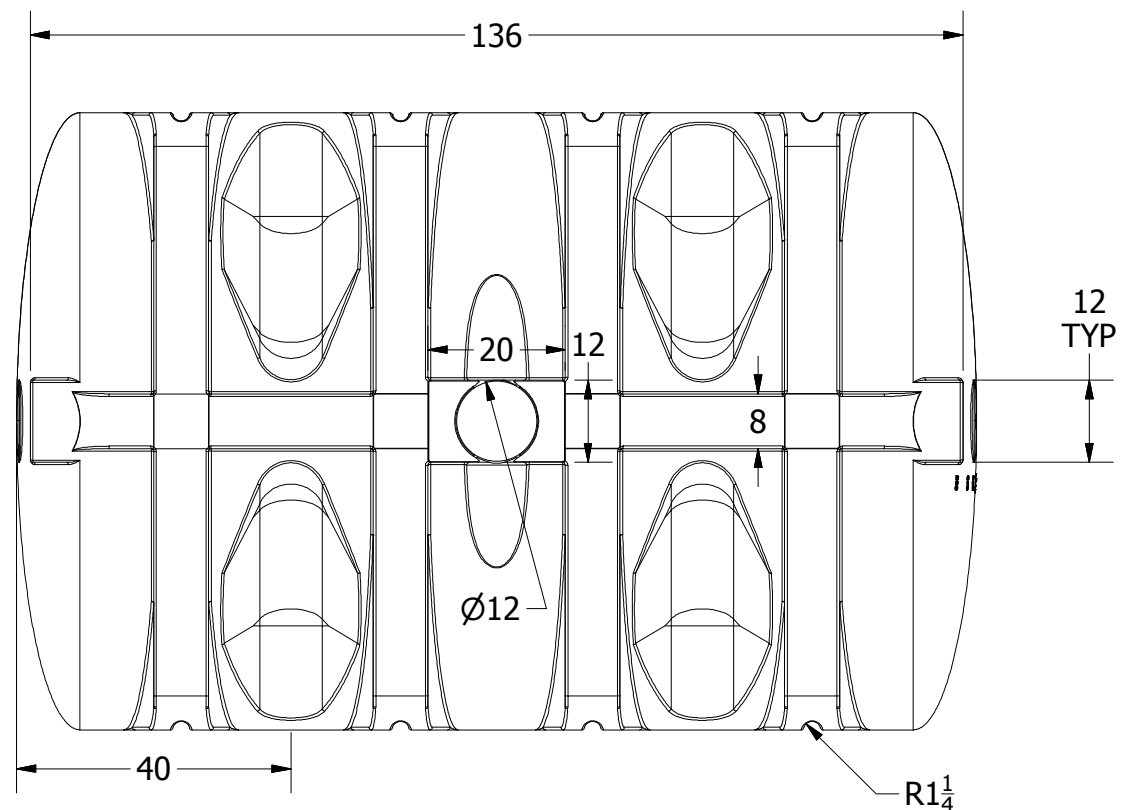
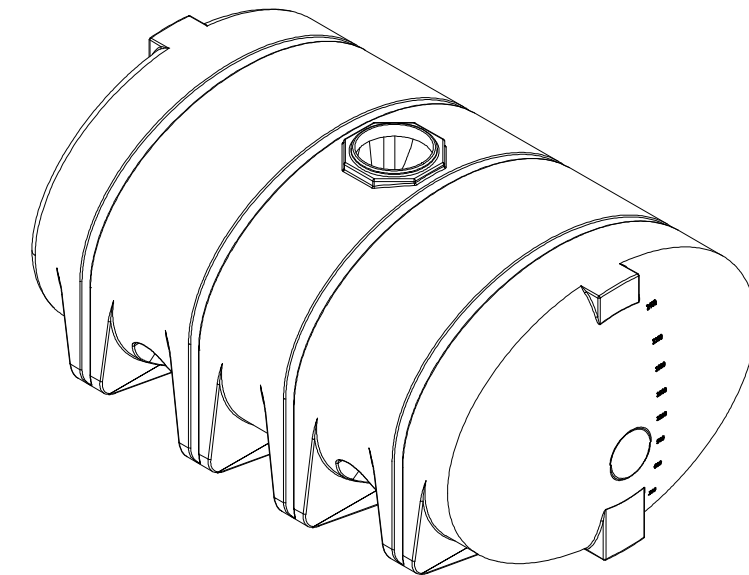

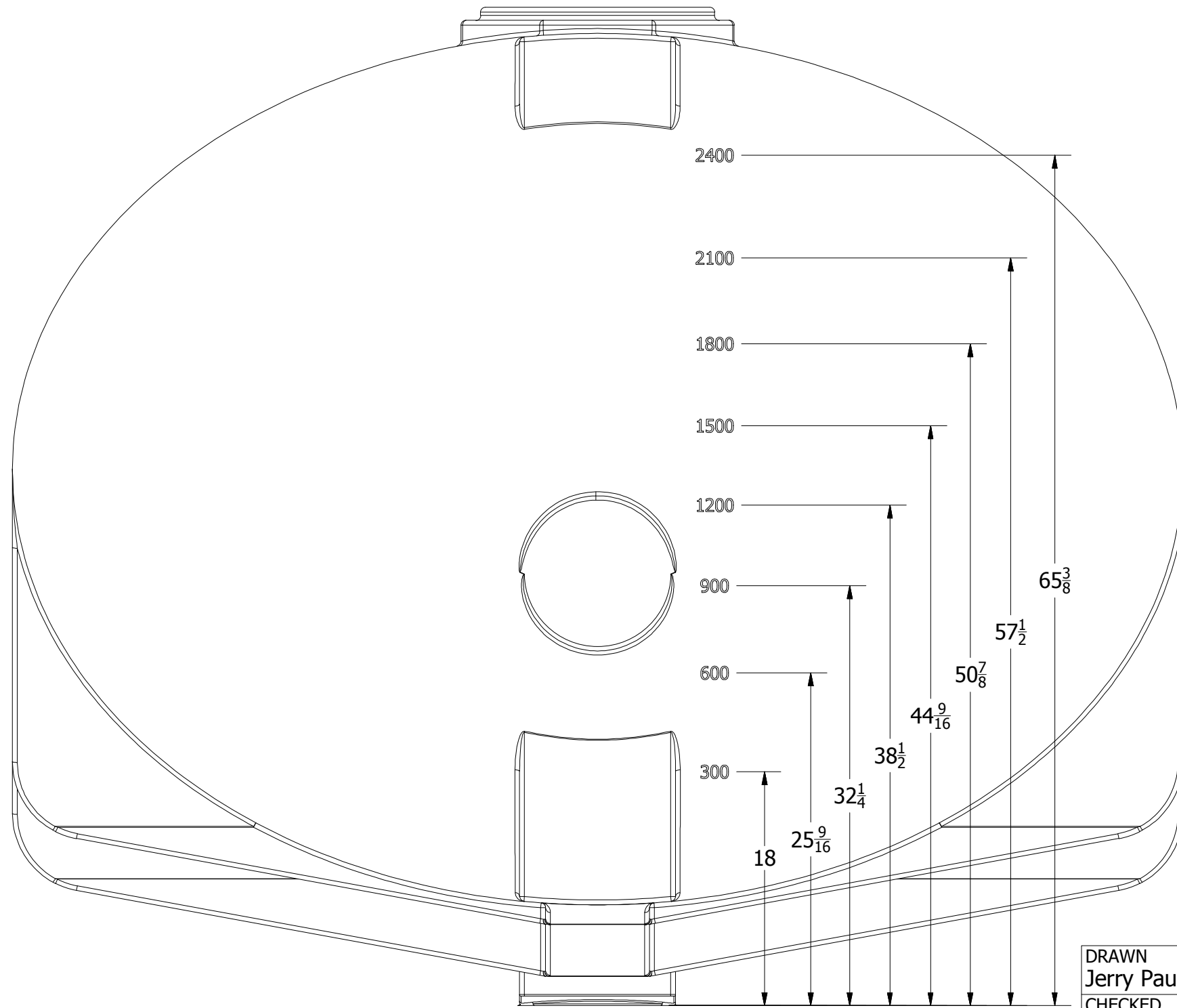



SECTION A-A
SCALE 1:8



REVISION HISTORY			
REV	DESCRIPTION	DATE	AUTHOR
A	WAS 22 1/2	5/6/2002	
B	REDRAWN	7/30/2013	Michael Holden
DRAWN Jerry Paulson		5/21/2001	 NORWESCO, INC. SAINT BONIFACIUS, MN TITLE
CHECKED			
QA			2610 GALLON ELLIPTICAL DRAINABLE LEG TANK
MFG			
APPROVED			
SIZE B		DWG NO	REV B
SCALE: 1/16		SHEET 1 OF 2	



DRAWN Jerry Paulson	5/21/2001	 NORWESCO, INC. SAINT BONIFACIUS, MN		
CHECKED		TITLE		
QA		2610 GALLON ELLIPTICAL DRAINABLE LEG TANK		
MFG				
APPROVED				
		SIZE B	DWG NO	REV B
		SCALE: 1/16	SHEET 2 OF 2	